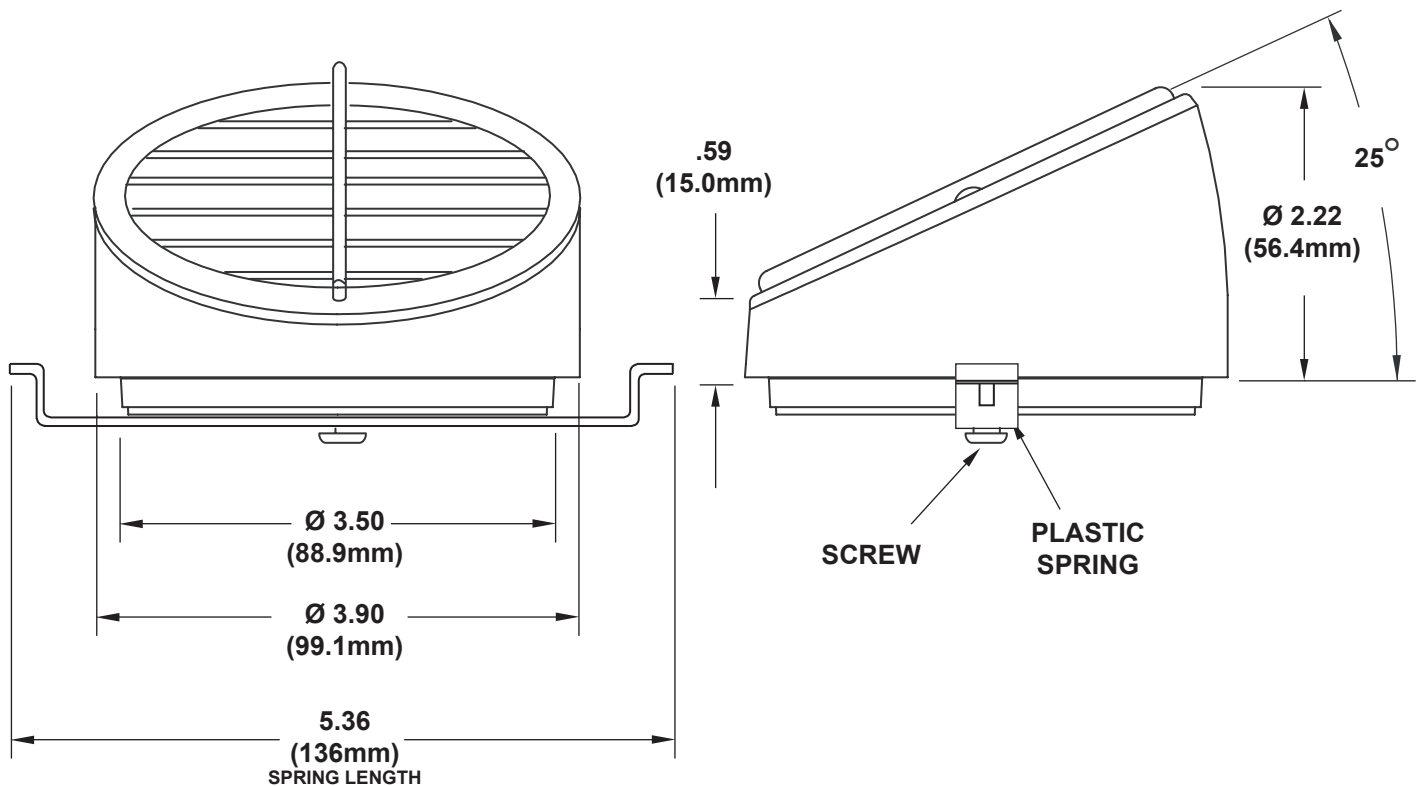


# LOUVERS

"Crescent" SERIES

3-1/2" CRESCENT

MATERIAL - BLACK ABS



**P.N. 06-2026**

3-1/2" Crescent Louver w/Stainless Steel and Plastic Springs  
(Rotating Grille and Rotating Base)

**P.N. 06-2026-A**

3-1/2" Crescent Louver w/Fixed Grille and Plastic Spring  
(Fixed Grille and Rotating Base)